



SEN801 Series Melt Pressure Sensors



SEN801-121



SEN801-301



SEN801-230



SEN801-321



Characters:

- ☆ Accuracy: $\leq \pm 0.5\% \text{F.S.}$
- ☆ High Stability and Reliability
- ☆ Good Linearity and Temperature Compensation
- ☆ High Precision Strain Gage
- ☆ Mature Chip SMT Technology
- ☆ Isolated and Silicon Oil Filled Diaphragm
- ☆ High Temperature Environment Application
- ☆ Applicable for Various Gas and Liquids

Applications:

- ★ Plastic Extrusion Machine
- ★ Rubber Industry
- ★ Chemical Fiber Industry
- ★ Laboratory Equipment
- ★ High Pressure Liquid Measurement
- ★ High Temperature Steam System
- ★ Petro-Chemical and other special occasions.
- ★ CE Approval

I . Profiles:

SEN801 Series Melt Pressure Transducer for high-temperature and pressure measurement for use in controlling the pressure and high-temperatures in the fields of Chemical Fibers, Plastics and Rubber or High-Temperature Resistant Fluid. By utilizing our advanced Silicon on Insulate and Oil Filled Diaphragm technology this instrument provides very high accuracy, strong output signal, excellent performance and high-temperature resistant zero drift. SEN801 Series Transducers can be used with most PLC's and Instrumentation with any adjustment or modifications. Connecting screws and outgoing connectors are all universal. These transducers are a direct replacement for other similar transducers.



II . Specifications:

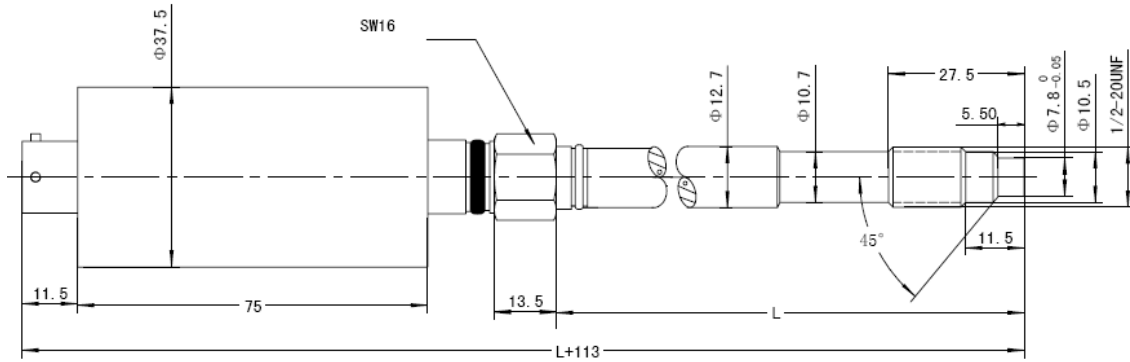
Model: Parameter:	SEN801 Series
Model No.:	SEN801-121; SEN801-230; SEN801-301; SEN801-321
Pressure Type:	Gauge Pressure
Pressure Range:	0-150-22,000PSIG
Power Supply:	10V DC
Electrical Connector:	5Core or 6 Core/Pin/Wire
Output:	2 mV/V; 3 mV/V; 3.33 mV/V optional.
Overpressure:	1.2 times Full Range.
Burst Pressure:	1.5 times Full Range.
Accuracy: (Linearity; Hysteresis; Repeatability)	$\leq \pm 0.5\%F.S;$ $\leq \pm 0.25\%F.S;$ Optional
Stability:	0.2%F.S
Working Temp:	80-500°F
Storage Temp:	-40°F-125°F
Medium compatible:	Various media compatible with the 316L stainless steel
Repeatability:	$\pm 0.2\%F.S.O$



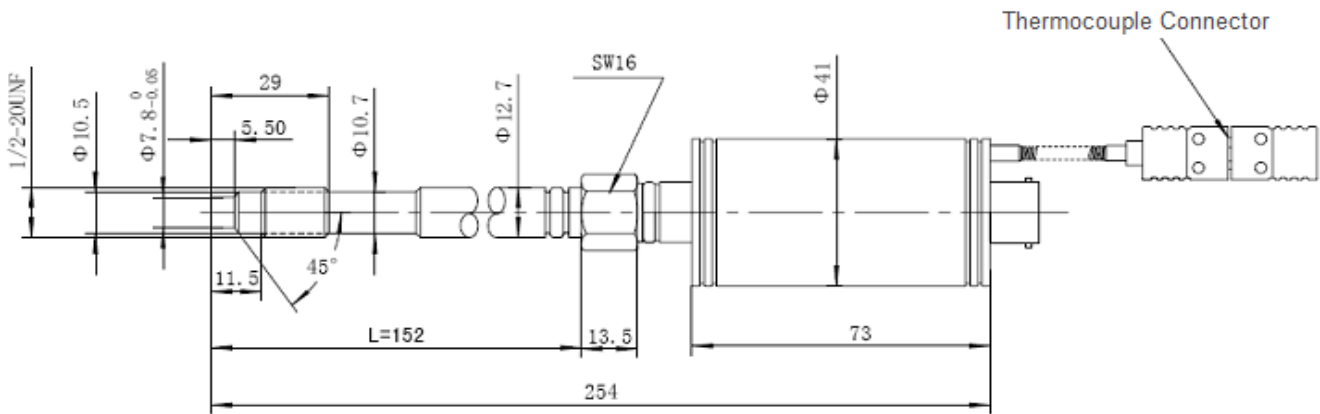
Sensonetics, Inc

Hysteresis:	±0.15%F.S.O
Permanent Stability (1 Year):	0.3% F.S.O
Bridge impedance:	350 ohms±10%
Insulation Resistance:	≥3000 M Ω
Electronic connection:	Fixed cable Explore Proof and water proof IP67; 5 Pins Plug; 6 Pins Plug IP65; Terminal Box (Hirschman) IP65.
Process connect port:	1/2"-20UNF Male; M10x1, M14x1.5; M20x1.5... (by order)
Thermocouple type	J,K,E, PT100 Optional
Response time:	≤20 ms
Certificate approve:	CE Certificate.
EMC Standard:	electromagnetic radiation : EN50081-1/-2 electromagnetic susceptibility : EN50082-2
Remarks:	Special applications request by order

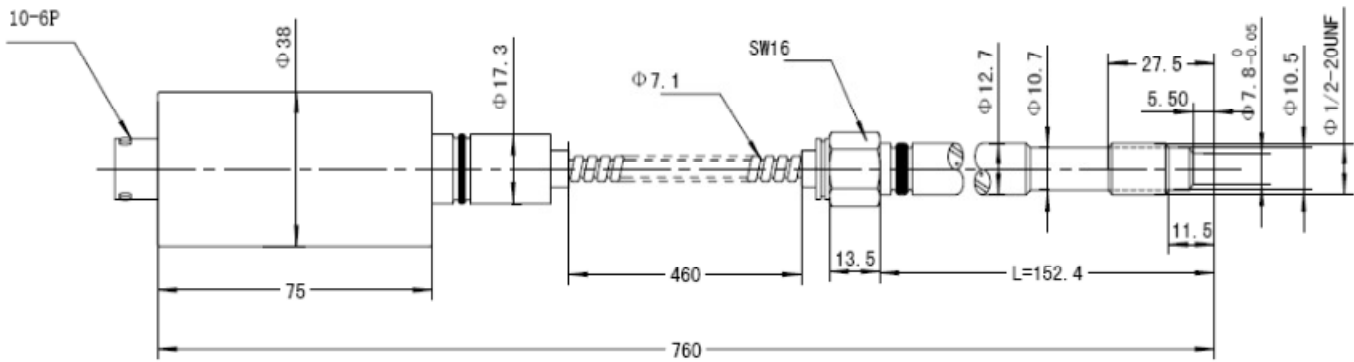
III. Dimension and Drawing:



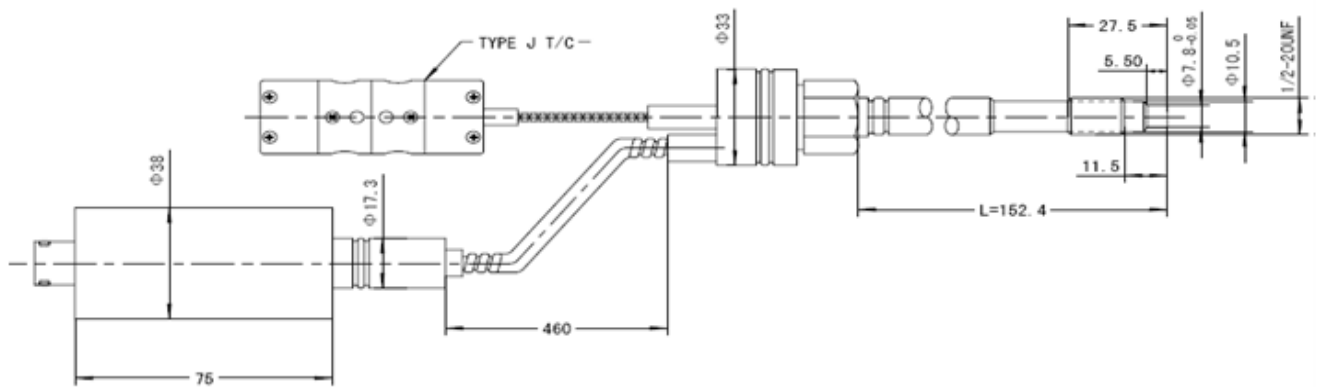
SEN801-121



SEN801-230



SEN801-301



SEN801-321



IV. Electronic Connections:

Electronic Wire Connections	
Electronic Connections for 5Pin/ 6 Pin Plug	
Output Port	5 , 6 wire/core
Pin A	S + / blue wire
Pin B	S - / green wire
Pin C	V + / red wire
Pin D	V - / yellow wire
Pin E	Calibrate / black wire
Pin F	Calibrate / brown wire



V. Part Number Selection Table:

801	Melt Pressure Sensors					
121	Straight Stem Type					
230	Straight Stem + Thermocouple Type					
301	Straight Stem + Capillary Type					
321	Straight Stem + Capillary + Thermocouple Type					
	Range code	Pressure range	Ref.	Range code	Pressure range	Ref.
	01	0....150 PSI	G	16	0....6500 PSI	G
	02	0....250 PSI	G	17	0....7000 PSI	G
	03	0....300 PSI	G	18	0...8000 PSI	G
	04	0....350 PSI	G	19	0....8700 PSI	G
	05	0....450 PSI	G	20	0....9500 PSI	G
	06	0....500 PSI	G	21	0....10000 PSI	G
	07	0....725 PSI	G	22	0....11000 PSI	G
	08	0....1000 PSI	G	23	0....12000 PSI	G
	09	0....1450 PSI	G	24	0....14500 PSI	G
	10	0....2175 PSI	G	25	0....16000 PSI	G
	11	0....2900 PSI	G	26	0....17500 PSI	G
	12	0....3625 PSI	G	27	0....19000 PSI	G
	13	0....4350 PSI	G	28	0....20000 PSI	G
	14	0....5000 PSI	G	29	0....22000 PSI	G
	15	0....6000 PSI	G	X	By Customized	G
		Code	Dimension			
		D4	Rigid Stem: 6" or 152 mm			
		D3	Rigid Stem: 12" or 304 mm			
		D2	Rigid Stem: 18" or 456 mm			
		D5	Rigid Stem: 6" or 152 mm and Capillary: 18" or 457.20 mm			
		D6	Rigid Stem: 12" or 304 mm and Capillary: 18" or 457.20 mm			
		X	By Customized			
		Code	Thermocouple type			
		0	None			
		J	'J' type thermocouple			
		K	'K' type thermocouple			
		E	'E' type thermocouple			
		P	'PT100' type thermocouple			
		Code	Pressure connection			



					8	M20x1.5 male	10	1/2"NPT male
					20	M14*1.5 male	21	M18x1.5 male
					19	1/2"-20UNF male	X	By Customized
						Code	Signal Output	
						E3	3.33 mV/V (6 Cores)	
						E2	3 mV/V (6 Cores)	
						E1	2 mV/V (5 Cores)	
						Code	Electronic connection	
						H	Terminal Box (Hirschman)	
						L	5 Pins Connector	
						M	6 Pins Connector	
						C	Directly cable 5 meters	
							Code	Accuracy
							0	≤±1%F.S
							1	≤±0.5%F.S
							2	≤±0.25%F.S (high cost)
801	230	11	D4	J	2	E3	M	1
Remarks								

Example P/N: **80123011D4J2E3M1**

Note:

1. 'By Customized' means that customers offer us the reality value data.
2. 'Remarks' means that special requested by customers.
3. The process and Electronic connector is optional, so all order confirm by model code or our sales record.
4. OEM&ODM are available, just offer us your detail specifications and structure requirements.