



SEN-800 Series Melt Pressure Transducers



SEN800-121



SEN800-230



SEN800-125



SEN800-233



Characters:

- ☆ Accuracy: $\leq \pm 0.5\% \text{F.S.}$
- ☆ High Stability and Reliability
- ☆ Good Linearity and Temperature Compensation
- ☆ High Precision Strain Gage
- ☆ Mature Chip SMT Technology
- ☆ Isolated and Silicon Oil Filled Diaphragm
- ☆ High Temperature Environment Application
- ☆ Applicable for Various Gas and Liquids

Applications:

- ★ Plastic Extrusion Machine
- ★ Rubber Industry
- ★ Chemical Fiber Industry
- ★ Laboratory Equipment
- ★ High Pressure Liquid Measurement
- ★ High Temperature Steam System
- ★ Petro-Chemical and other special occasions.
- ★ CE Approval

I . Profiles:

SEN800 Series Melt Pressure Transducer's for high-temperature and pressure measurement and for use in controlling the pressure of high-temperatures in the fields of Chemical Fibers, Plastics and Rubber or High-Temperature Resistant Fluid. By utilizing our advanced Silicon on Insulate and Oil Filled Diaphragm technology this instrument provides very high accuracy, reliability, strong output signal, excellent performance and high-temperature resistant zero drift. SEN800 Series Transducers can be used with most PLC's and Instrumentation without any adjustment or modification.



Connecting screws and connectors are all universal. These transducers are interchangeable with other similar transducers.

II . Specifications:

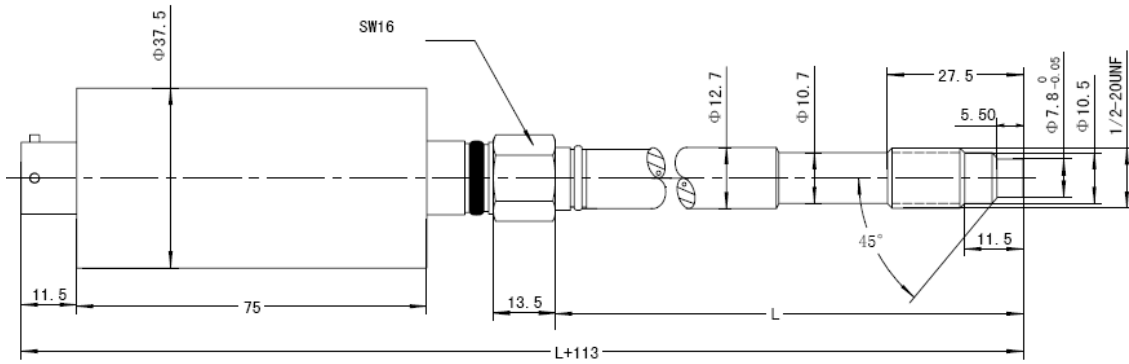
Model:	SEN800 Series
Parameter:	
Model No.:	SEN800-121; SEN800-230; SEN800-125; SEN800-233
Pressure Type:	Gauge Pressure
Pressure Range:	0-150Psi.....20000Psig.
Power Supply:	24V DC
Electronic Wire:	5Cores or 6 Cores/Pins/Wires
Output:	4-20 mA; 0-10V; 0-5V
Overpressure:	1.2 times Full Range.
Burst Pressure:	1.5 times Full Range.
Accuracy:	≤ ±0.5%F.S;
(Linearity; Hysteresis;	≤ ±0.25%F.S;
Repeatability)	Optional
Stability:	0.2%F.S
Working Temp:	0°F-500°F



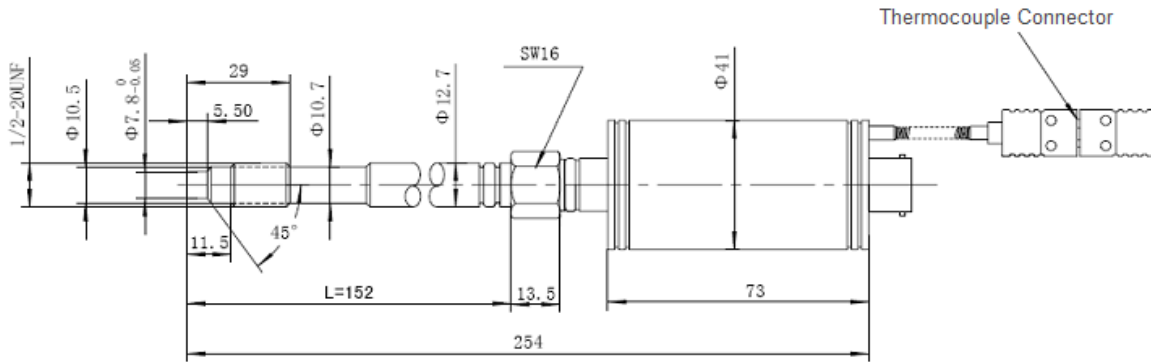
Storage Temp:	-40°F-257°F
Medium compatible:	Various media compatible with the 316L stainless steel
Repeatability:	±0.2%F.S.O
Hysteresis:	±0.2%F.S.O
Permanent Stability (1 Year):	0.3% F.S.O
Bridge Impedance:	350 ohms±10%
Insulation Resistance:	≥3000 M Ω
Electrical Connectors:	Fixed cable Explore Proof and water proof IP67; 5 Pin Plug; 6 Pin Plug IP65; Terminal Box (Hirschman) IP65.
Pressure Fitting:	1/2"-20UNF Male; M14X1.5; M20X1.5
Thermocouple type	J,K,E, PT100 Optional
Response time:	≤10 ms
Certificate approve:	CE Certificate.
EMC Standard:	electromagnetic radiation : EN50081-1/-2 electromagnetic susceptibility : EN50082-2
Remarks:	Special applications request by customized



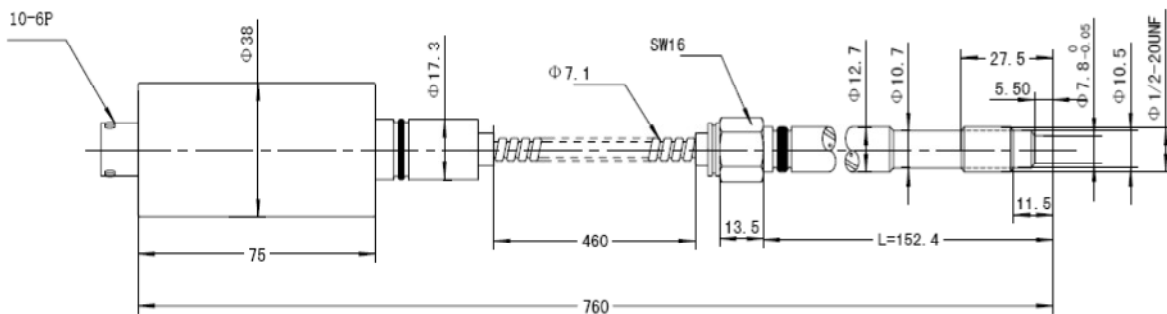
III. Dimension and Drawing:

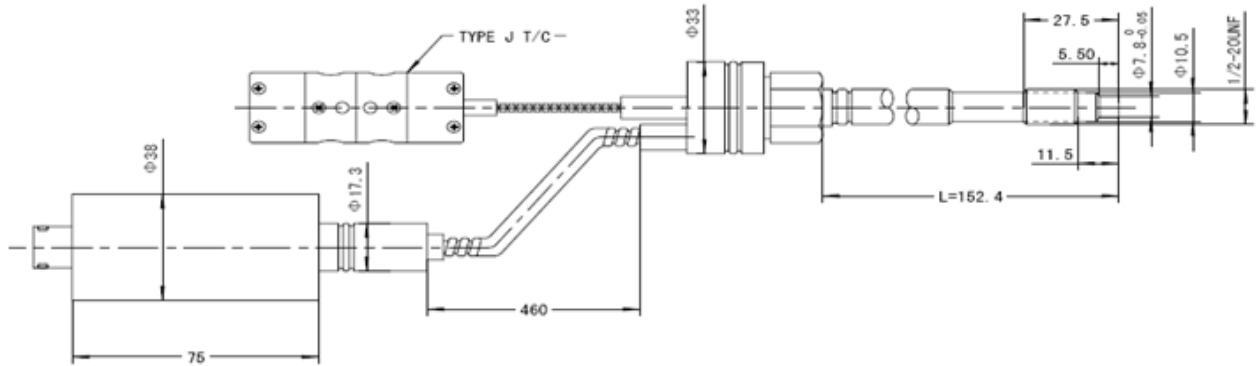


SEN800-121



SEN800-125





SEN800-233

IV. Electronic Connections:

Electronic Wire Connections	
Electronic Connections for 5Pin/ 6 Pin Plug	
Output Port	5 , 6 wire/core
Pin A	S + / blue wire
Pin B	S - / green wire
Pin C	V + / red wire
Pin D	V - / yellow wire
Pin E	Calibrate / black wire
Pin F	Calibrate / brown wire



V. Part Number Selection Table:

800	Melt Pressure Transducers & Transmitters					
121	Straight Stem Type					
125	Straight Stem + Thermocouple Type					
230	Straight Stem + Capillary Type					
233	Straight Stem + Capillary + Thermocouple Type					
	Range Code	Pressure Range	Ref.	Range Code	Pressure Range	Ref.
	01	0...150 PSI	G	16	0...6500 PSI	G
	02	0...250 PSI	G	17	0...7000 PSI	G
	03	0...300 PSI	G	18	0...8000 PSI	G
	04	0...350 PSI	G	19	0...8700 PSI	G
	05	0... 450 PSI	G	20	0...9500 PSI	G
	06	0...500 PSI	G	21	0...10000 PSI	G
	07	0...725 PSI	G	22	0...11000 PSI	G
	08	0...1000 PSI	G	23	0...12000 PSI	G
	09	0...1450 PSI	G	24	0...14500 PSI	G
	10	0...2175 PSI	G	25	0...16000 PSI	G
	11	0...2900 PSI	G	26	0...17500 PSI	G
	12	0...3625 PSI	G	27	0...19000 PSI	G
	13	0...4350 PSI	G	28	0...20000 PSI	G
	14	0...5000 PSI	G	29	0...22000 PSI	G
	15	0...6000 PSI	G	X	By Customized	G
		Code	Dimension			
		D4	Rigid Stem: 6" or 152 mm			
		D3	Rigid Stem: 12" or 304 mm			
		D2	Rigid Stem: 18" or 456 mm			
		D5	Rigid Stem: 6" or 152 mm and Capillary: 18" or 457.20 mm			
		D6	Rigid Stem: 12" or 304 mm and Capillary: 18" or 457.20 mm			
		X	By Customized			
		Code	Thermocouple Type			
		0	None			
		J	'J' type thermocouple			



DATASHEET

				K	'K' type thermocouple				
				E	'E' type thermocouple				
				P	'PT100' type thermocouple				
					Code	Pressure connection			
					8	M20x1.5 male	10	1/2"NPT male	
					20	M14*1.5 male	21	M18x1.5 male	
					19	1/2"-20UNF male	X	By Customized	
					Code	Pressure Signal Output			
					E5	4-20 mA 2 wires			
					E6	0-5 V 2 wires			
					E7	0-10 V 2 wires			
					Code	Electronic connection			
					H	Terminal Box (Hirschman)			
					L	5 Pins Connector			
					M	6 Pins Connector			
					C	Directly cable 5 meters			
					Code	Accuracy			
					0	$\leq \pm 1\%F.S$			
					1	$\leq \pm 0.5\%F.S$			
					2	$\leq \pm 0.25\%F.S$ (high cost)			
SEN 800	230	14	D5	J	19	E5	M	1	Remarks: 5m Cable

Example P/N: SEN80012423014D5J19E5M1

Note:

1. 'By Customized' means that customers offer us the reality value data.
2. 'Remarks' means that special requested by customers.
3. The process and Electronic connector is optional, so all order confirm by model code or our sales record.
4. OEM&ODM are available, just offer us your detail specifications and structure requirements.